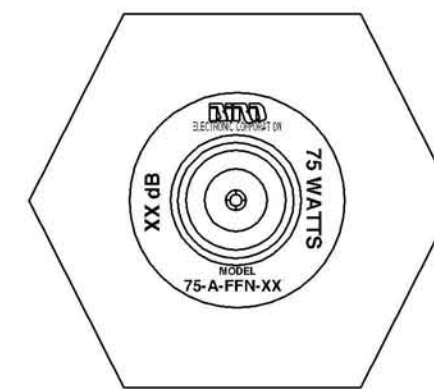
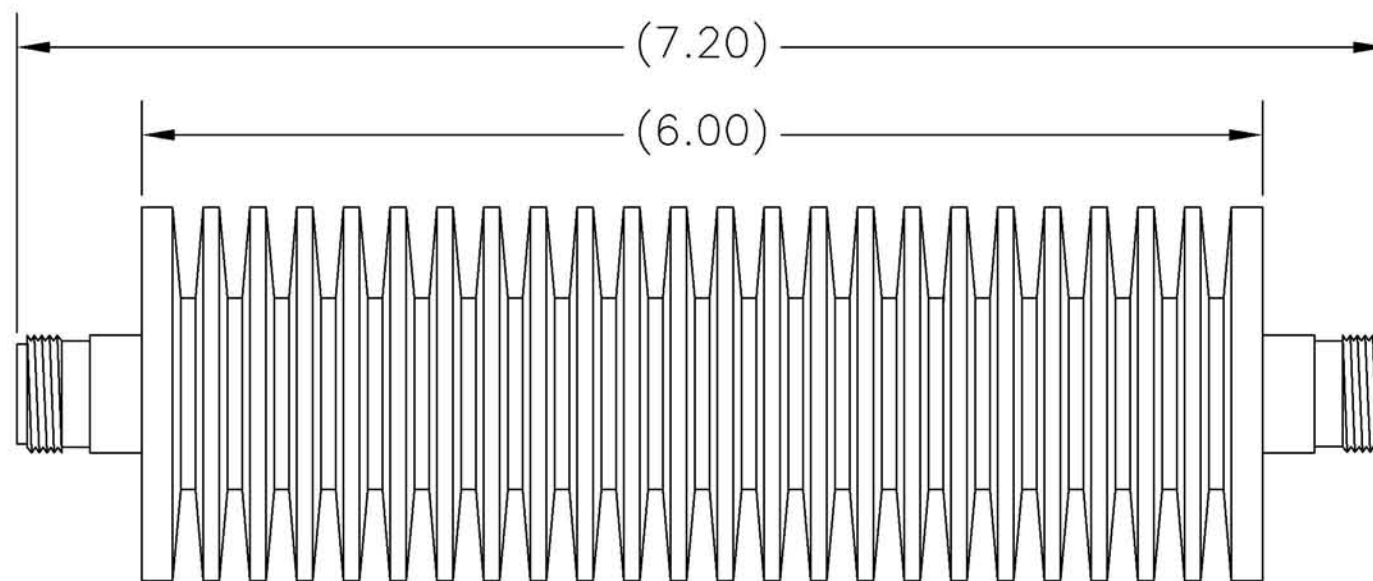
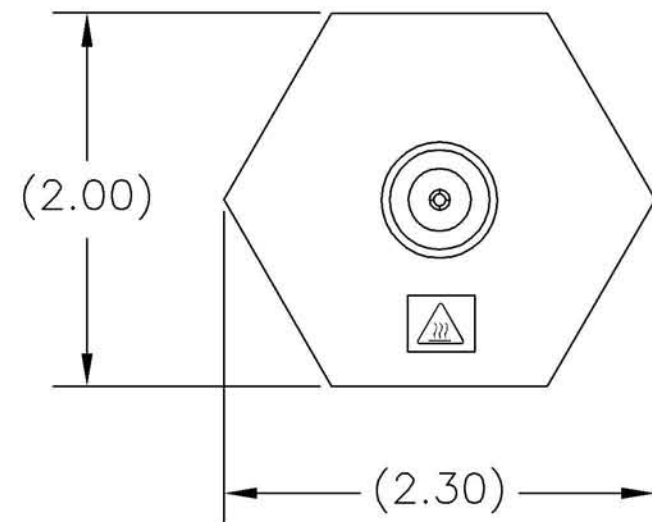


REV B
 SHEET 1
 DWG NO. 75-A-FFN-XX

SPECIFICATIONS:
 POWER RATING: 75 WATT CONTINUOUS (BI-DIRECTIONAL)
 FREQUENCY RANGE & VSWR:
 DC TO 1GHz AT 1.10:1 MAX.
 1GHz TO 2.4GHz AT 1.25:1 MAX.
 AMBIENT TEMPERATURE RANGE: -40°C TO +40°C
 CONNECTORS: N-TYPE FEMALE
 - SILVER OR TRI-ALLOY PLATED
 OPERATING POSITION: ANY
 DRY LOAD: CONVECTION COOLED

| REVISIONS | | | | |
|-----------|-----|--------------------------------|----------|----------|
| ZONE | REV | DESCRIPTION | DATE | APPROVED |
| | A | ECN #0182 | 10-21-97 | MRV |
| | B | UPDATE PICTORIAL/ECO 12663 dmr | 1-24-06 | DMD |



NOTE:
 FOR VALUES NOT LISTED, REFER TO THE NEXT HIGHER ATTENUATION LEVEL FOR SPECIFICATIONS.
 FOR ATTENUATION VALUES GREATER THAN THE HIGHEST LISTED ATTENUATION VALUE, REFER TO THE VALUE 1/2 THE DESIRED ATTENUATION LEVEL, THEN DOUBLE THE LISTED SPECIFICATION VALUES, UNLESS OTHERWISE SPECIFIED.

XX = DASH NUMBER (dB VALUE)

| | | | |
|----------|-----------|--------------------------|------------|
| -30 | 30 | ±0.8 dB | ±1.3 dB |
| -20 | 20 | ±0.5 dB | ±1.0 dB |
| -10 | 10 | ±0.4 dB | ±0.8 dB |
| -06 | 6 | ±0.4 dB | ±0.6 dB |
| -03 | 3 | ±0.3 dB | ±0.5 dB |
| -02 | 2 | ±0.3 dB | ±0.5 dB |
| -01 | 1 | ±0.3 dB | ±0.5 dB |
| DASH NO. | dB ATTEN. | DC - 1GHz | 1 - 2.4GHz |
| | | ATTENUATOR ACCURACY ± dB | |

DIMENSIONS HEREON ARE FOR CUSTOMER CONVENIENCE AND REFERENCE ONLY.
 TOLERANCE TO BE APPLIED ONLY WHERE INDIVIDUALLY STATED ON THE RESPECTIVE DIMENSION. -DO NOT SCALE DRAWING-

| | | | | |
|---|--|-------------------------------------|--|---|
| UNLESS OTHERWISE SPECIFIED DIMENSIONS ARE IN INCHES TOLERANCES ARE: FRACTIONS DECIMALS ANGLES $\pm 1/64$.XX=±.010 ±30' .XXX=±.005 | | MILLIMETERS .X= ±.4 .XX= ±.12 | THIS DRAWING IS THE PROPERTY OF THE BIRD ELECTRONIC CORPORATION. THE DESIGNS AND SPECIFICATIONS DISCLOSED HEREON ARE PROPRIETARY AND SHALL NOT BE REPRODUCED, NOR COPIED, NOR USED AS THE BASIS FOR THE MANUFACTURE OR SALE OF APPARATUS OR DEVICES WITHOUT THEIR EXPRESS WRITTEN CONSENT. | BIRD Electronic Corporation Cleveland (Solon) Ohio USA |
| MATERIAL | | APPROVALS DRAWN D.M.RINK | DATE 11-16-02 | TITLE ATTENUATOR, CONVECTION COOLED N-TYPE FEMALE/FEMALE, 75W |
| FINISH | | CHECKED | APPROVED MARK V. | SIZE FSCM NO. DWG. NO. REV B 70998 75-A-FFN-XX B |
| | | DO NOT SCALE DRAWING | DATE 1-5-05 | SCALE 1:1 COMM CODE AT1 SHEET 1 OF 1 |
| | | | AUTOCAD | |